

D Series

Schematics

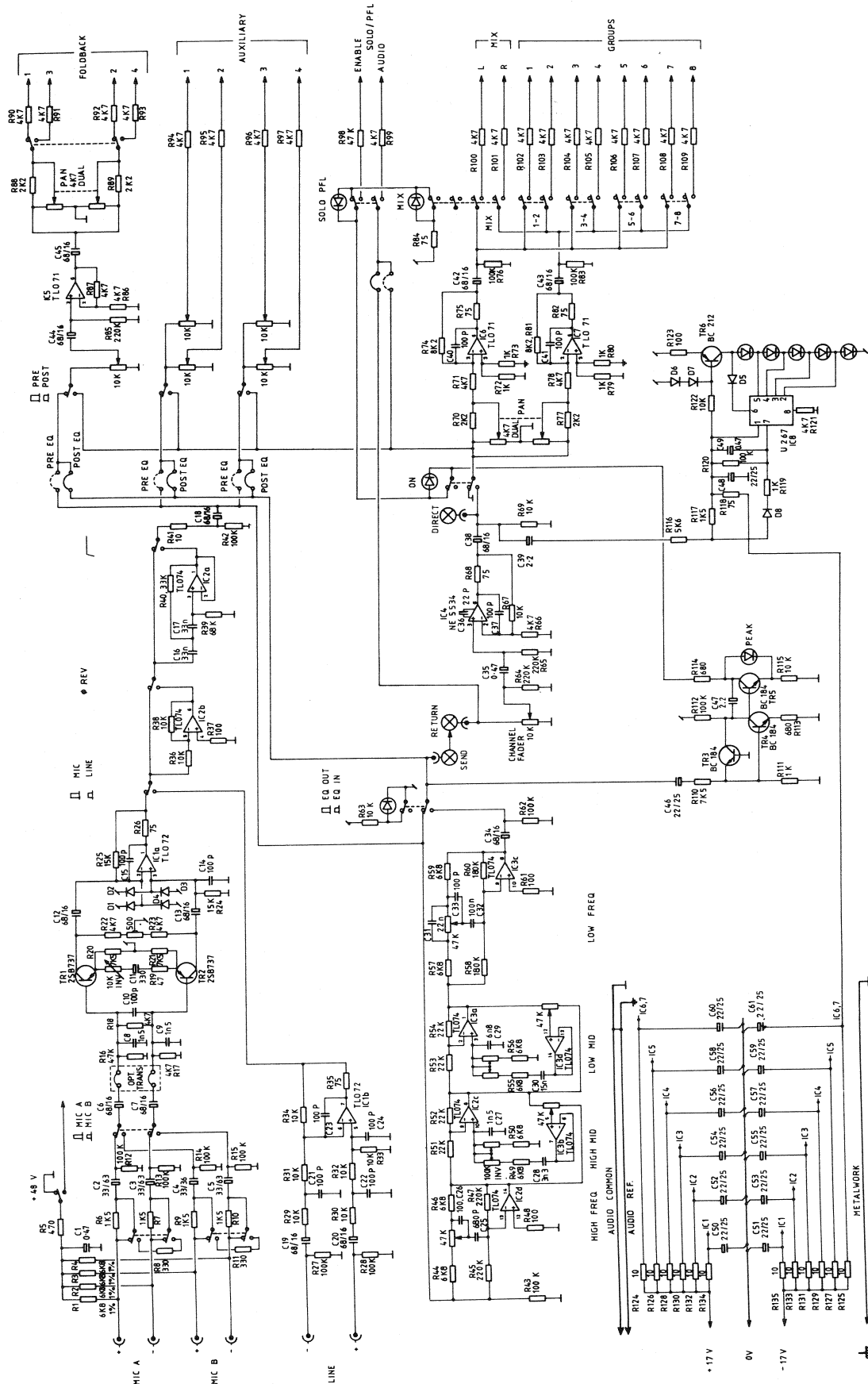
Klark Teknik Building
Walter Nash Road
Kidderminster
Worcestershire
DY11 7HJ

Tel: +44 (0) 1562 741515
Fax: +44 (0) 1562 745371

Email: info@uk.telex.com
Website: www.ddaconsoles.com

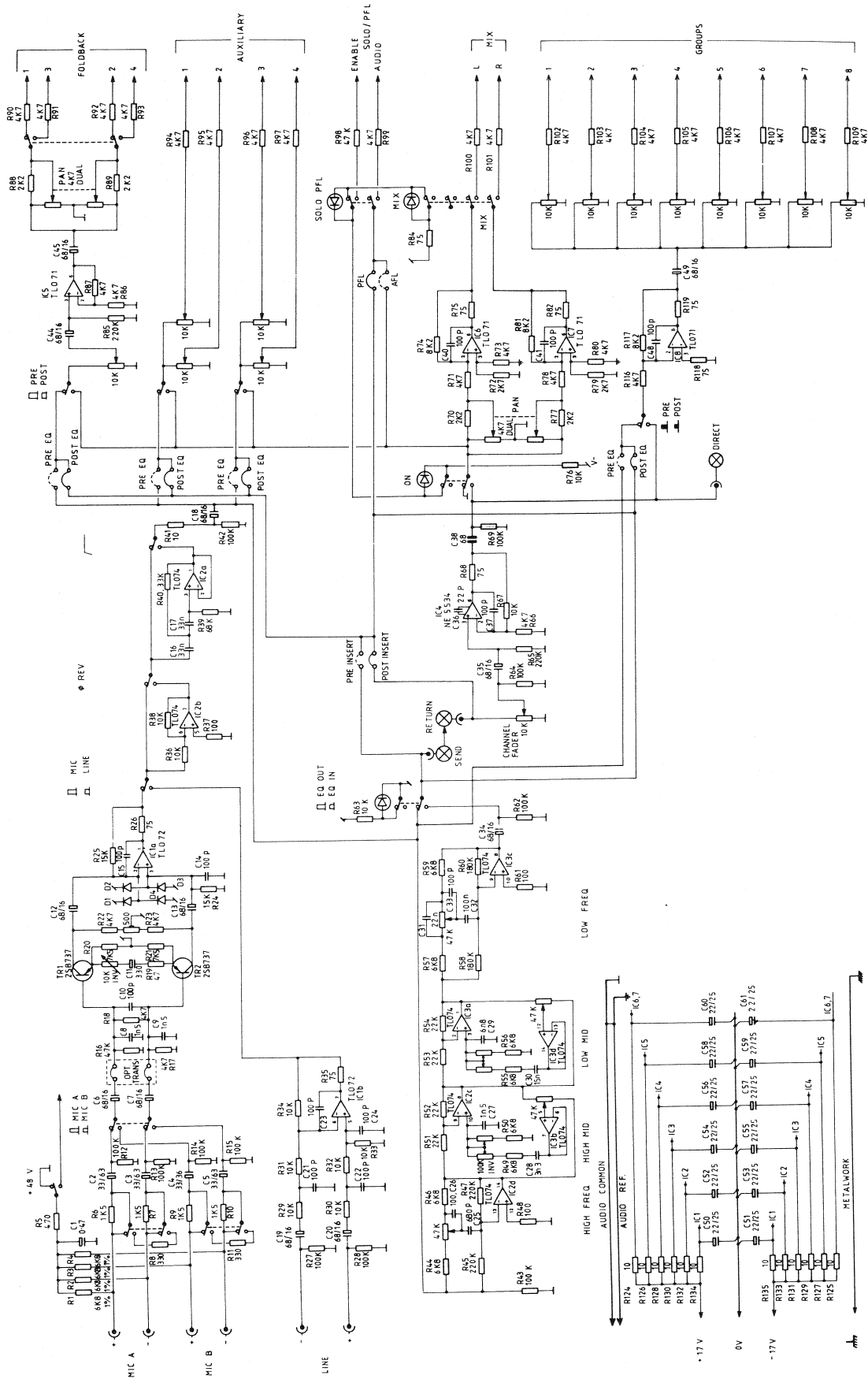
D Series Schematics
© Telex Communications (UK) Limited

In line with the company's policy of continual improvement, specifications and function maybe subject to change without notice. This Operator Manual was correct at the time of writing. E&OE.



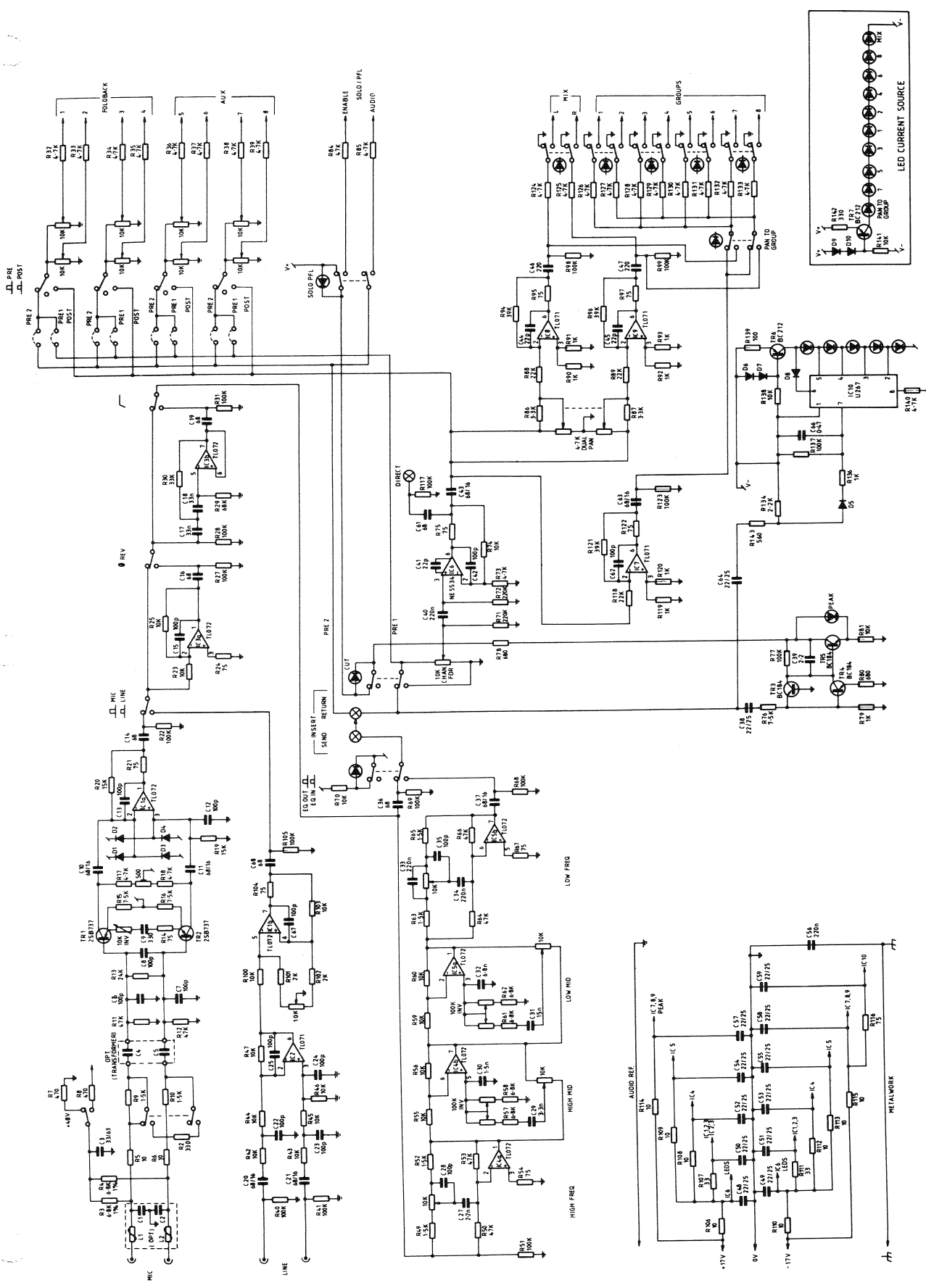
ADD

D Series Standard Input Module



ADD

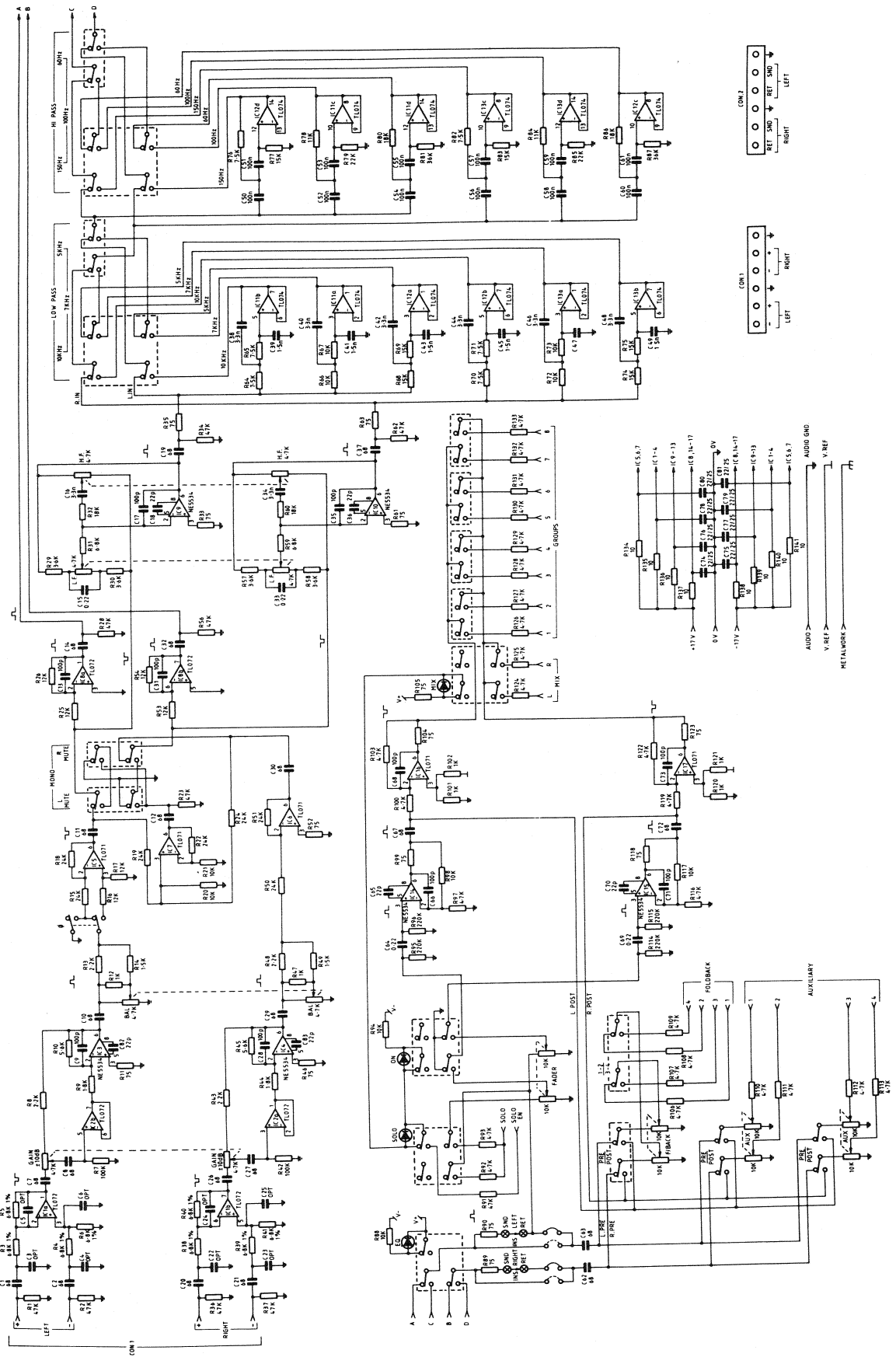
D Series Monitor Input Module



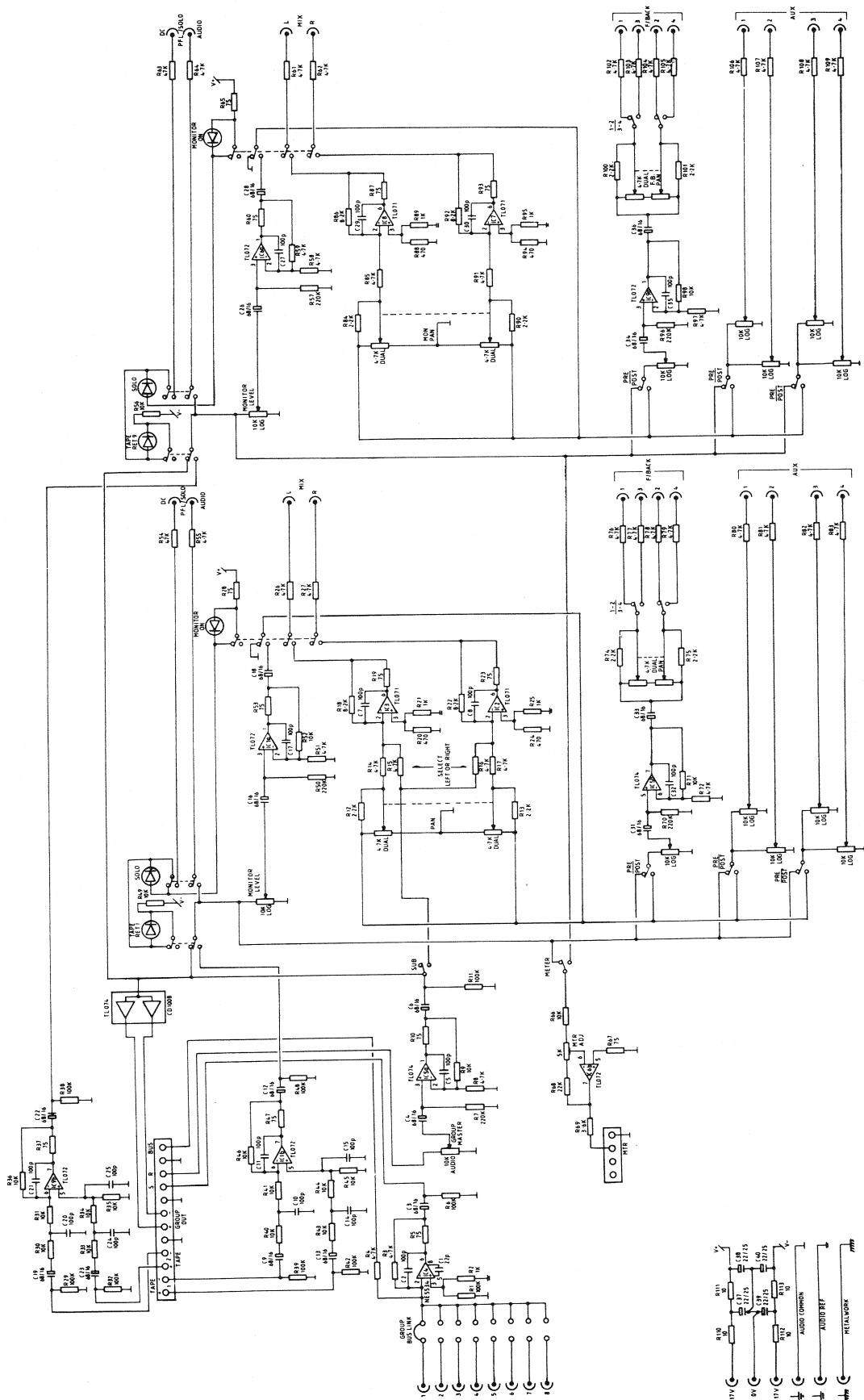
A D D D

D Series Theatre Input Module

A D D D

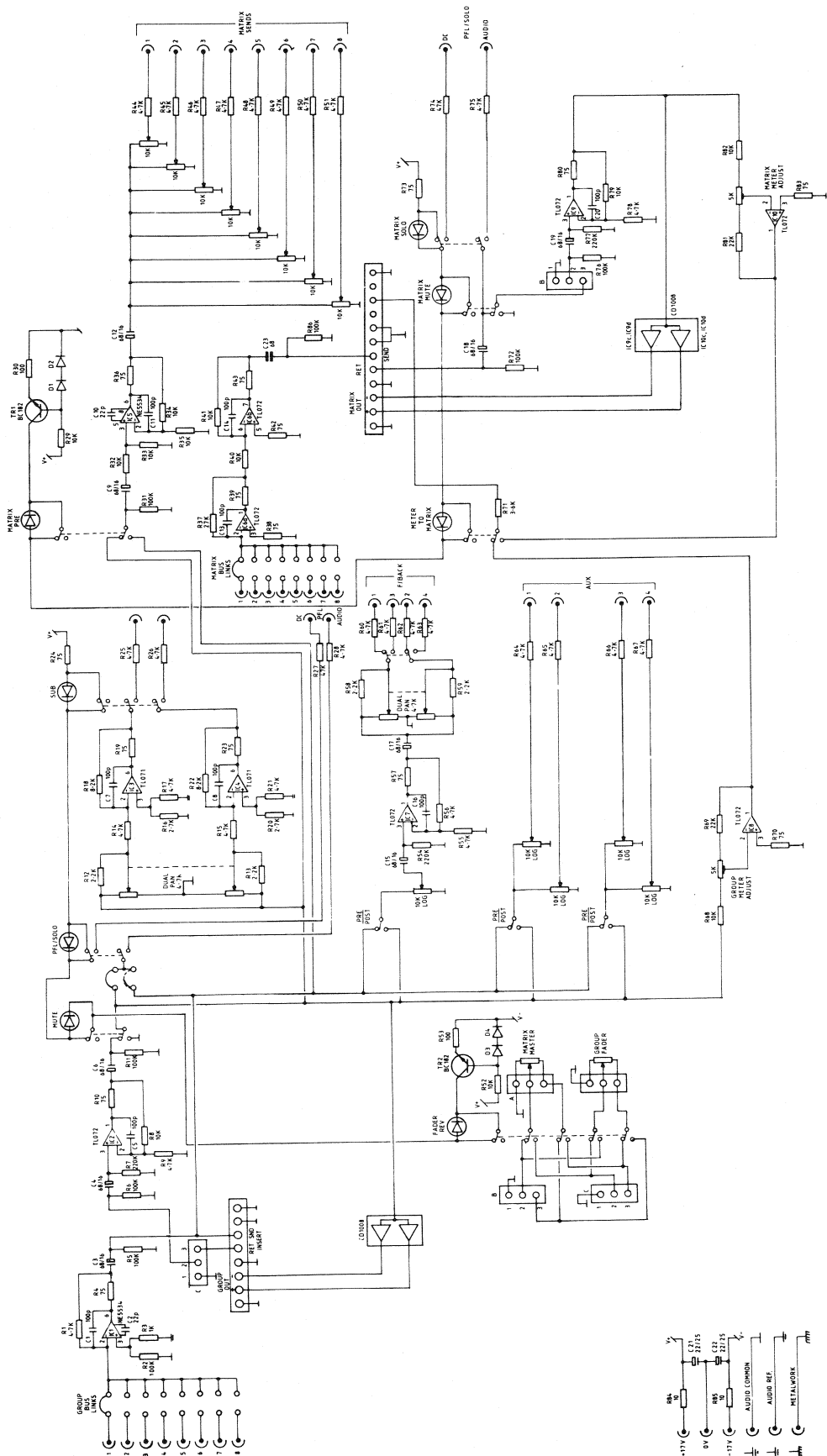


D Series Stereo Input Module



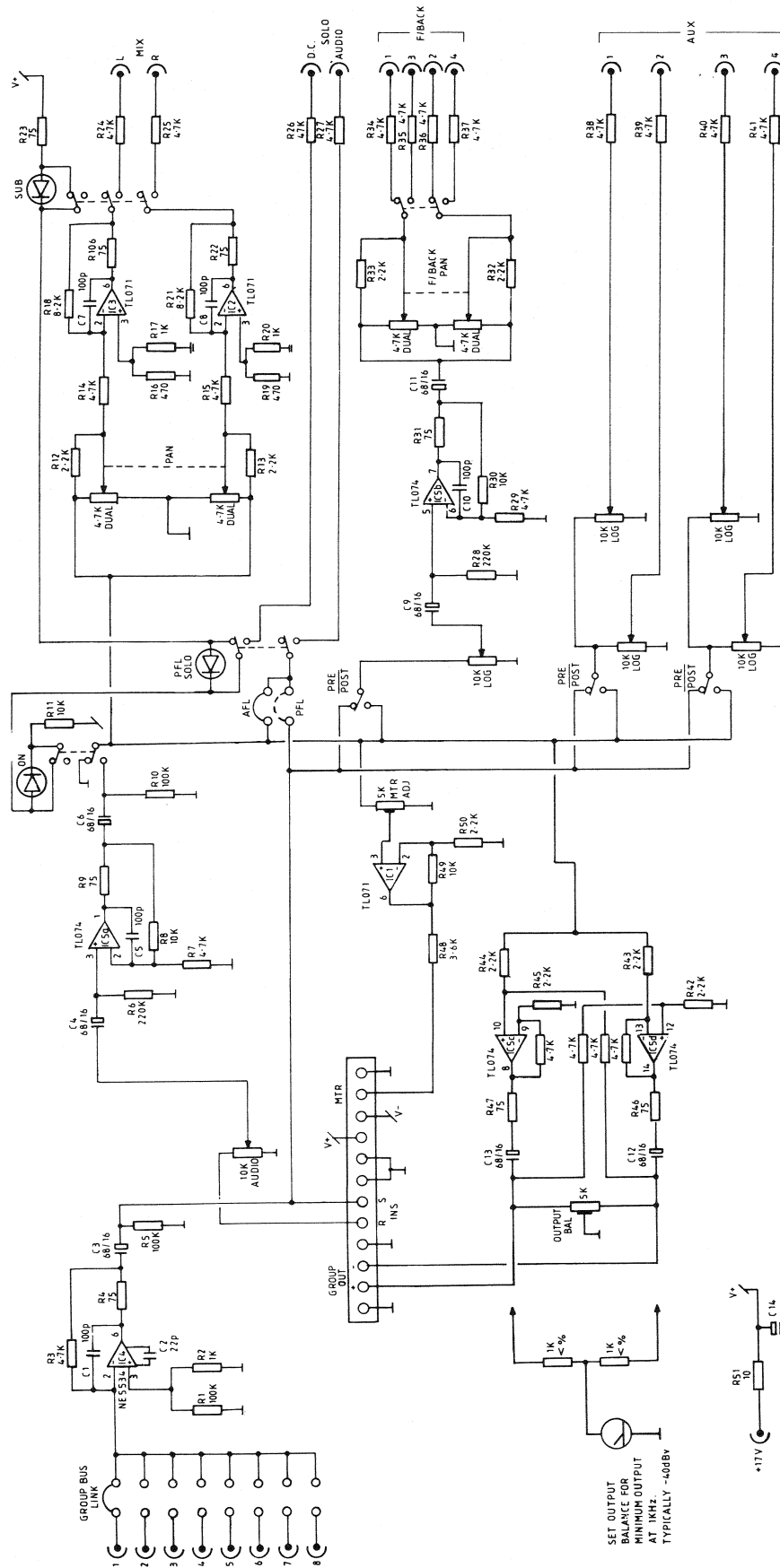
A D D D

D Series Recording Output Module



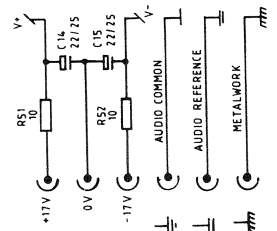
D D D A

D Series Matrix Output Module



FOLLOW ON COMPONENT NUMBERS FOR DUPLICATE HALF OF PCB.

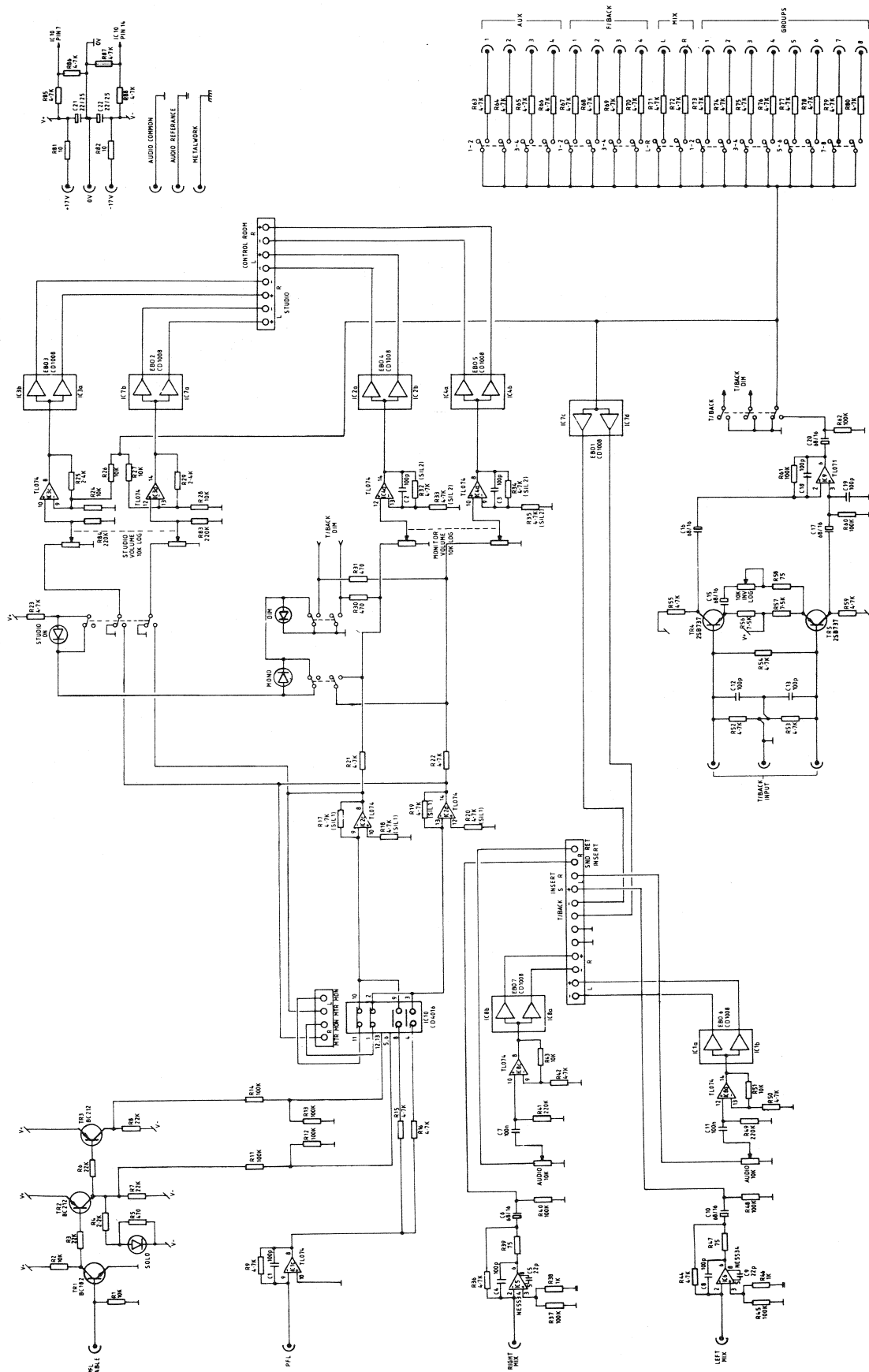
SET OUTPUT BALANCE FOR MINIMUM OUTPUT AT 1KHZ. TYPICALLY -40dBV



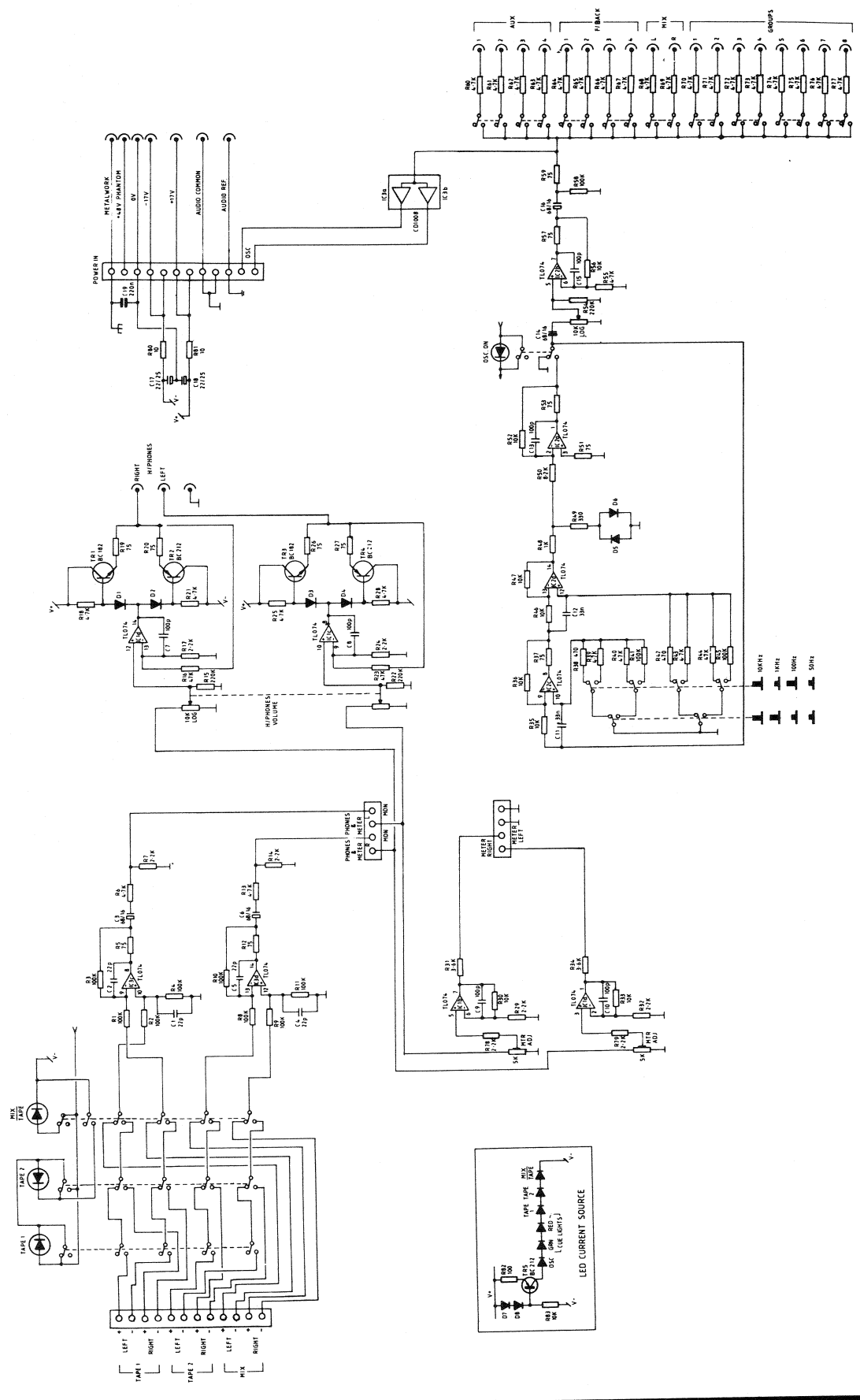
A D D I

D Series Compact Output Module

DATA

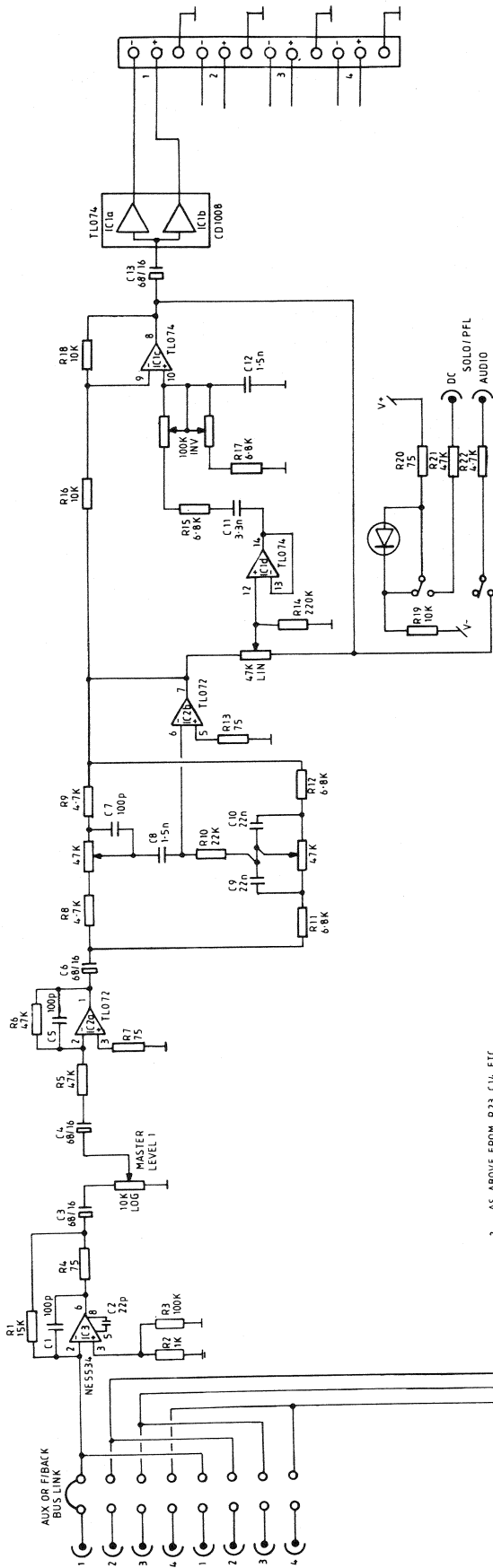


D Series Stereo Master Module



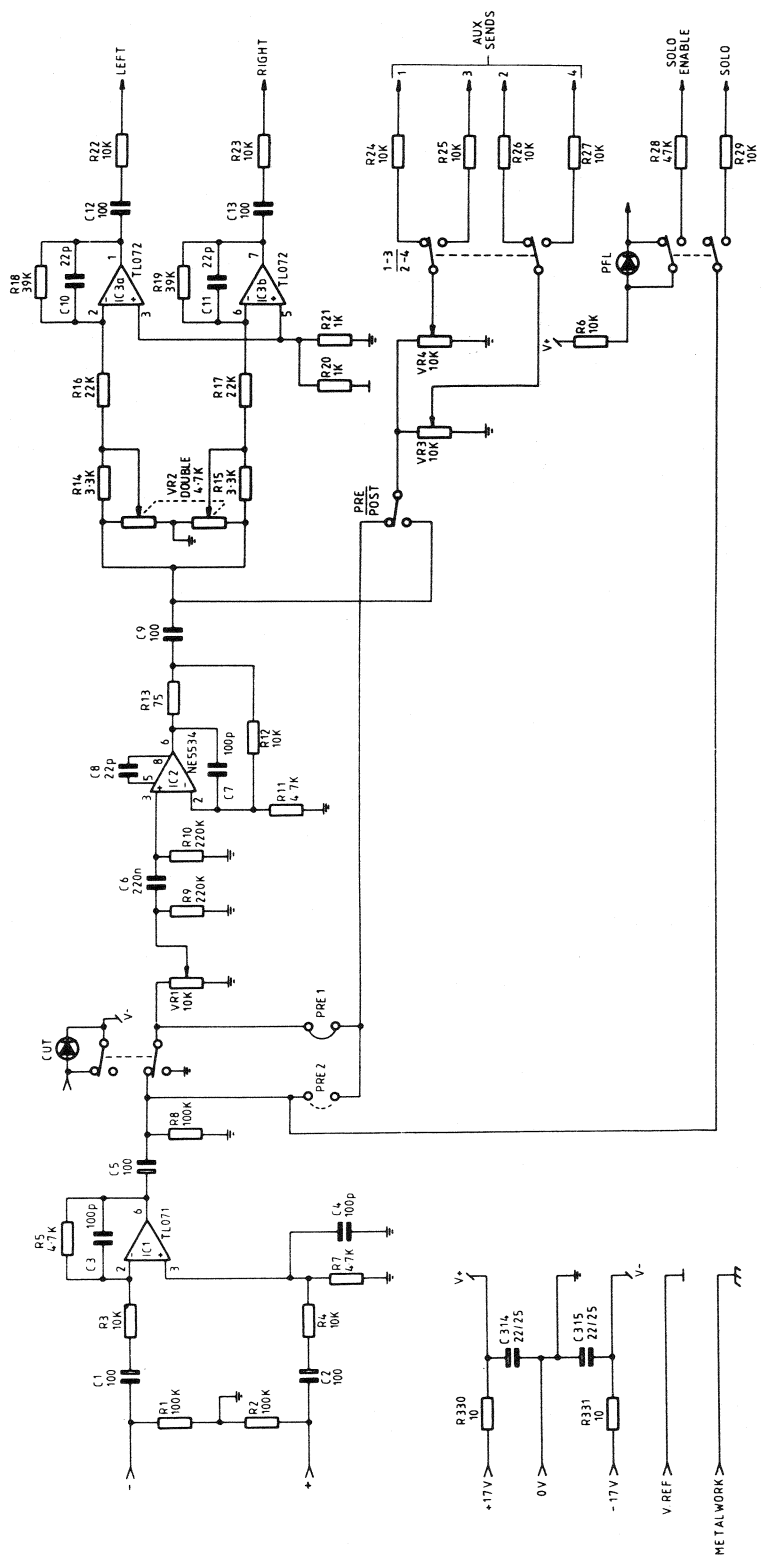
D D D A

D Series Monitor Master Module



D D D A

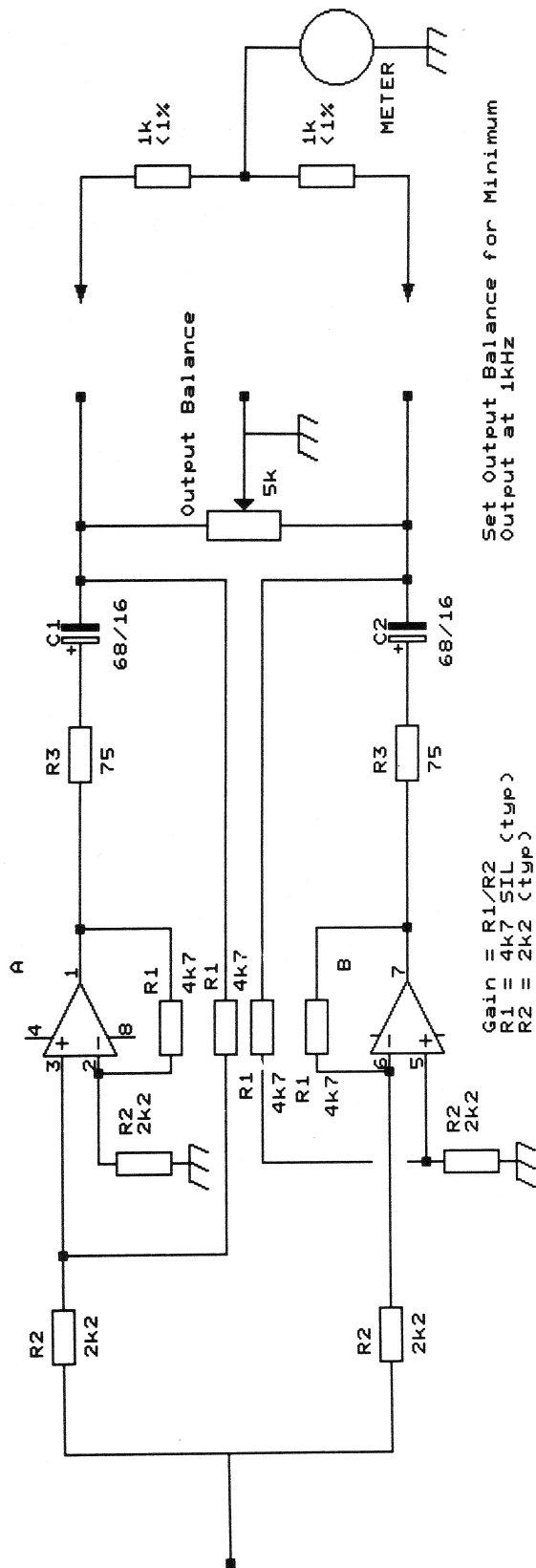
D Series Aux/FB Master Module



AUX RETURN 1 SECTION SHOWN
 FOR AUX RETURN 2 Nos. ADD 100 ie R101, C101
 FOR AUX RETURN 3 Nos. ADD 200 ie R201, C201
 FOR AUX RETURN 4 Nos. ADD 300 ie R301, C301

DDA

D Series Effects Return Module

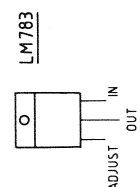
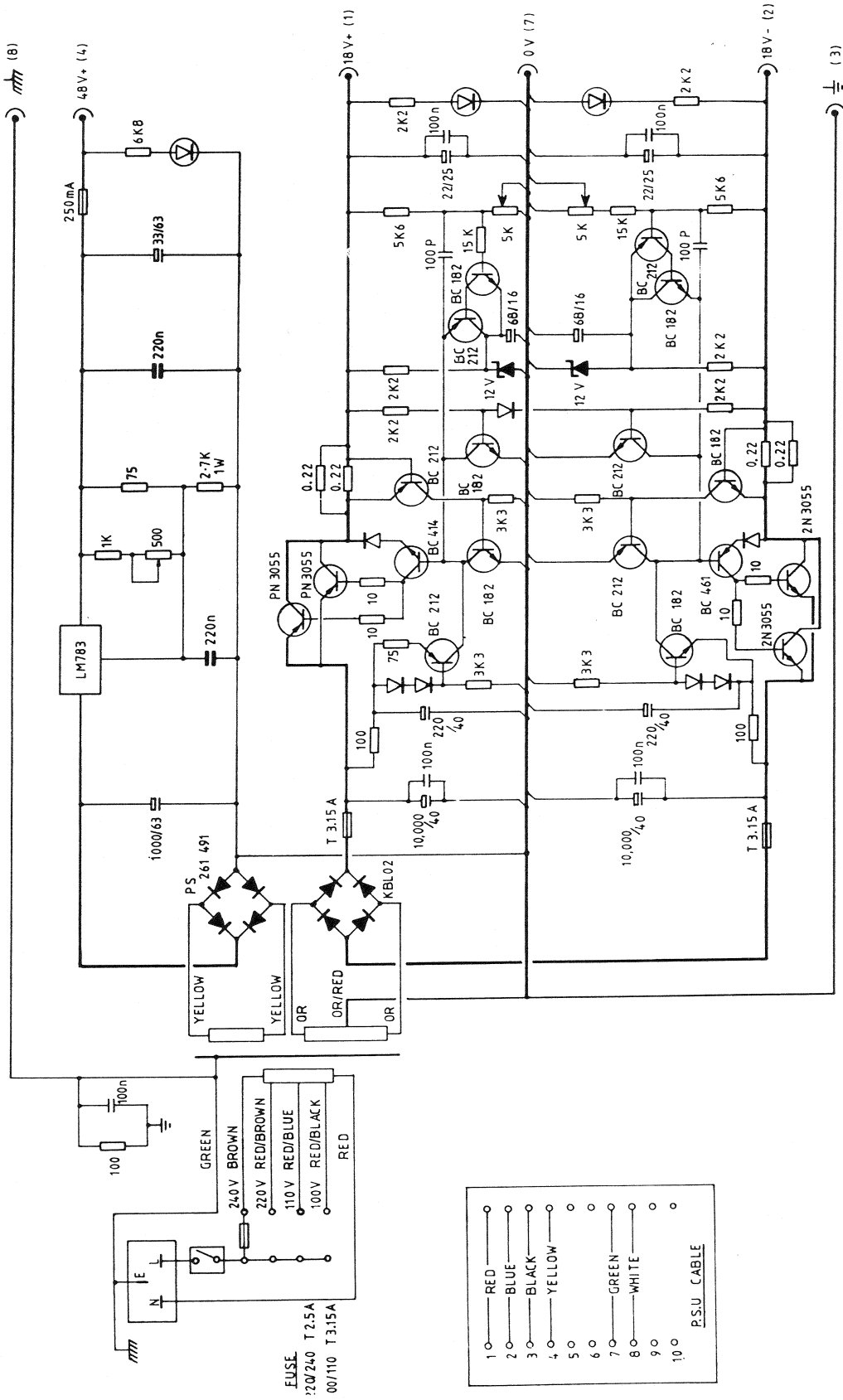


Set Output Balance for Minimum Output at 1kHz Typically -40dBV

Gain = $R1/R2$
 $R1 = 4k7 \text{ SIL (typ)}$
 $R2 = 2k2 \text{ (typ)}$

OUTPUT BALANCE ADJUST

AUDIO



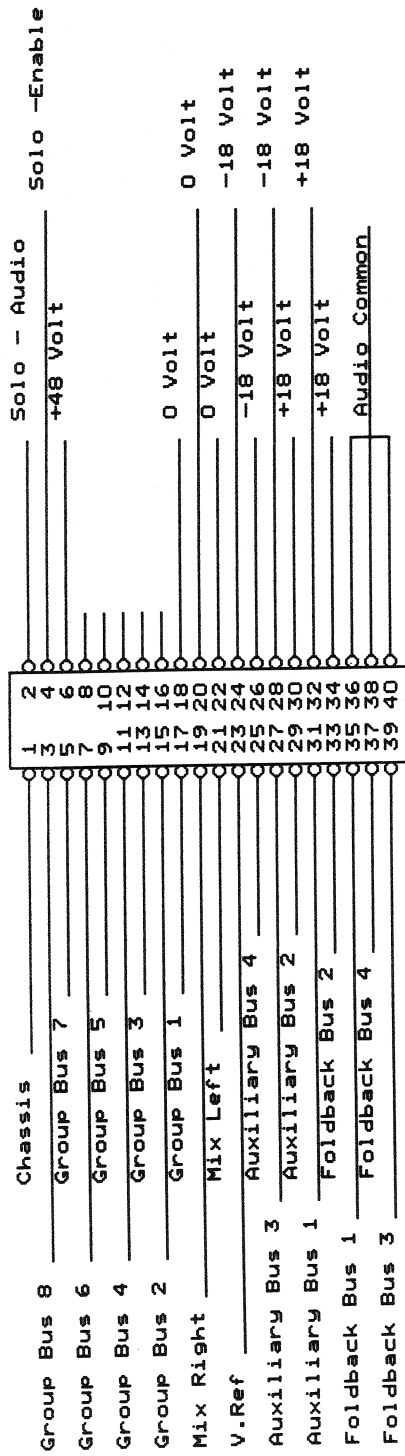
1	—	RED
2	—	BLUE
3	—	BLACK
4	—	YELLOW
5	—	
6	—	
7	—	GREEN
8	—	WHITE
9	—	
10	—	

P.S.U. CABLE

Standard PSU

ADD

40 Way Ribbon Connector



AUDIO

Wiring from Connector Panel to
Monitor Master Module

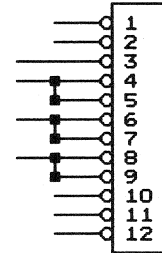
Chassis (GREY)
+48 Volts (ORANGE)
0 Volts (GREEN)
-18 Volts (BLUE)

+18 Volts (BROWN)

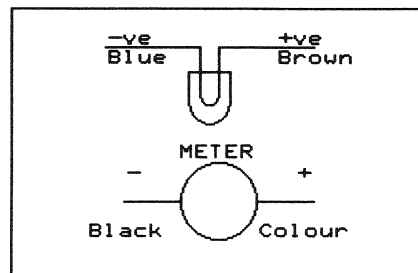
Audio Common (BLACK)

Audio Ref
Oscillator + (brown)
Oscillator - (black)

12 Way Molex



Meter Wiring



DDA